

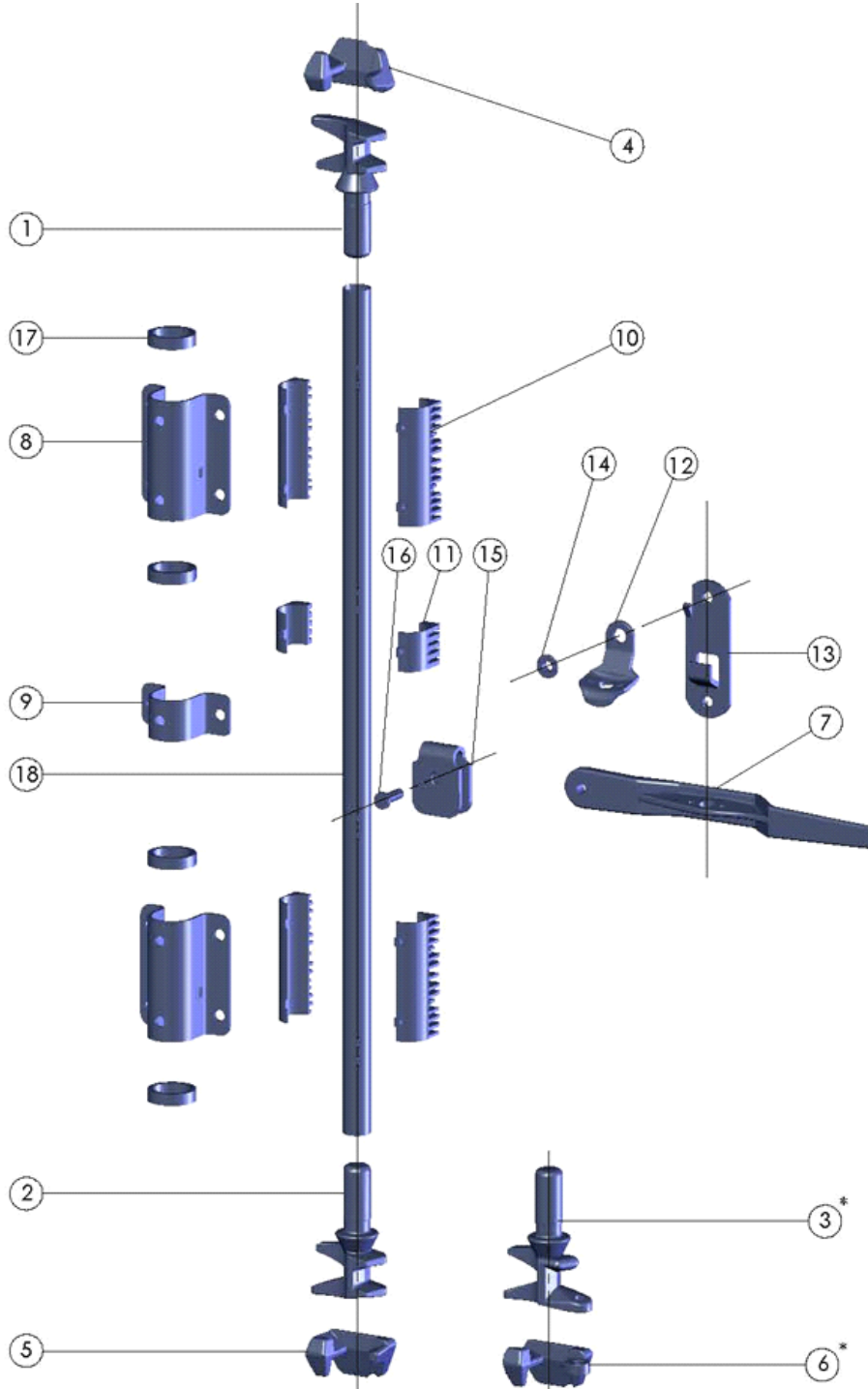


# Shanghai Xinfan Container Fittings Co., Ltd.

Security Seals Manufacturer for the Shipping Industry

**“Security is our 1<sup>st</sup> Priority”**

## CONTAINER DOOR LOCKING TSS-EC



Shanghai Xinfan Container Fittings Co.,Ltd.

Add : Room 1-102, No. 330 Hanzhong Road, Shanghai, P.R.China 200070

TEL: 86-21-53550037 FAX: 86-21-63806231

E-MAIL : [trading@xfseal.com](mailto:trading@xfseal.com)



# Shanghai Xinfan Container Fittings Co., Ltd.

Security Seals Manufacturer for the Shipping Industry

**“Security is our 1<sup>st</sup> Priority”**

## TSS - EC TYPE PARTS LIST

FAST OPEN & ONE ANTI-THEFT POINT DOOR LOCKING SYSTEM

ITEM NO.	PART NO.	DESCRIPTION	QTY/SET
1	97TSS-E-01-4	快开门锁头 (左) F-CAM R.H	4
2	97TSS-E-02-4	快开门锁头 (右) F-CAM R.H	3
*3	97TSS-E-02-5	快开门有孔锁头 (右) SECURITY F-CAM R.H	1
4	97TSS-E-03	锁座 (左) KEEPER R.H	4
5	97TSS-E-04	锁座 (右) KEEPER R.H	3
*6	97TSS-E-04-1/D	有孔锁座 (右) SECURITY KEEPER R.H	1
7	97TSS-E-05-1	手柄 F-HANDLE	4
	97TSS-E-05-2	手柄 P-HANDLE	
	97TSS-E-05-3	手柄 F-HANDLE NO THREE SEALING HOLES	
8	97TSS-E-06	大托架 BEARING BRACKET OUTER LARGE	8
9	97TSS-E-07	小托架 BEARING BRACKET OUTER SMALL	GP4/HC8
10	97TSS-E-08	大衬套 SPLIT LARGE BUSH	8
11	97TSS-E-09	小衬套 SPLIT SMALL BUSH	GP4/HC8
12	97TSS-E-10-1	托架盖 RETAINER CATCH WITH SECURITY HOLE	4
	97TSS-E-10-2	托架盖 RETAINER CATCH PRESS HANDLE TYPE	
	97TSS-E-10-3	托架盖 RETAINER CATCH WITHOUT SECURITY HOLE	
13	97TSS-E-11-1	托架座 F-RETAINER PLATE	4
	97TSS-E-11-2	托架座 P-RETAINER PLATE	
	97TSS-E-11-3	托架座 F-RETAINER PLATE	
14	97TSS-E-12/A	杯形垫圈 BUSH	4
15	97TSS-E-13/A	扳手座 HANDLE HUB	4
16	97TSS-E-14/A	铆钉 RIVET	4
17	97TSS-E-15/A	定位环 ANTI-RACK RING	16
18		钢管 TUBE $\phi 34 \times 3.2$	

Shanghai Xinfan Container Fittings Co.,Ltd.

2

Add : Room 1-102, No. 330 Hanzhong Road, Shanghai, P.R.China 200070

TEL: 86-21-53550037 FAX: 86-21-63806231

E-MAIL : [trading@xfseal.com](mailto:trading@xfseal.com)



# Shanghai Xinfan Container Fittings Co., Ltd.

Security Seals Manufacturer for the Shipping Industry

**“Security is our 1<sup>st</sup> Priority”**

---

## NOTES:

### HANDLE

\* Forged handle (97TSS-E-05-1, 97TSS-E-05-3) can be replaced by press handle (97TSS-E-05-2), So retainer plate and retainer catch should be changed to press handle type.(97TSS-E-10-2, 97TSS-E-11-2)

### ANTI-THEFT POINT

\* Security lock: Seal lock may be used for a higher degree of container security. Security Fast Cam (97TSS-E-02-5) and Security Keeper (97TSS-E-04-1/D) design to accommodate a 15mm diameter hole through which the largest container seals can be passed. Once in position, the Seal prevents rotation of the lock rod, thereby denying unauthorized entry and only one Seal Cam unit needs to be fitted per container.