

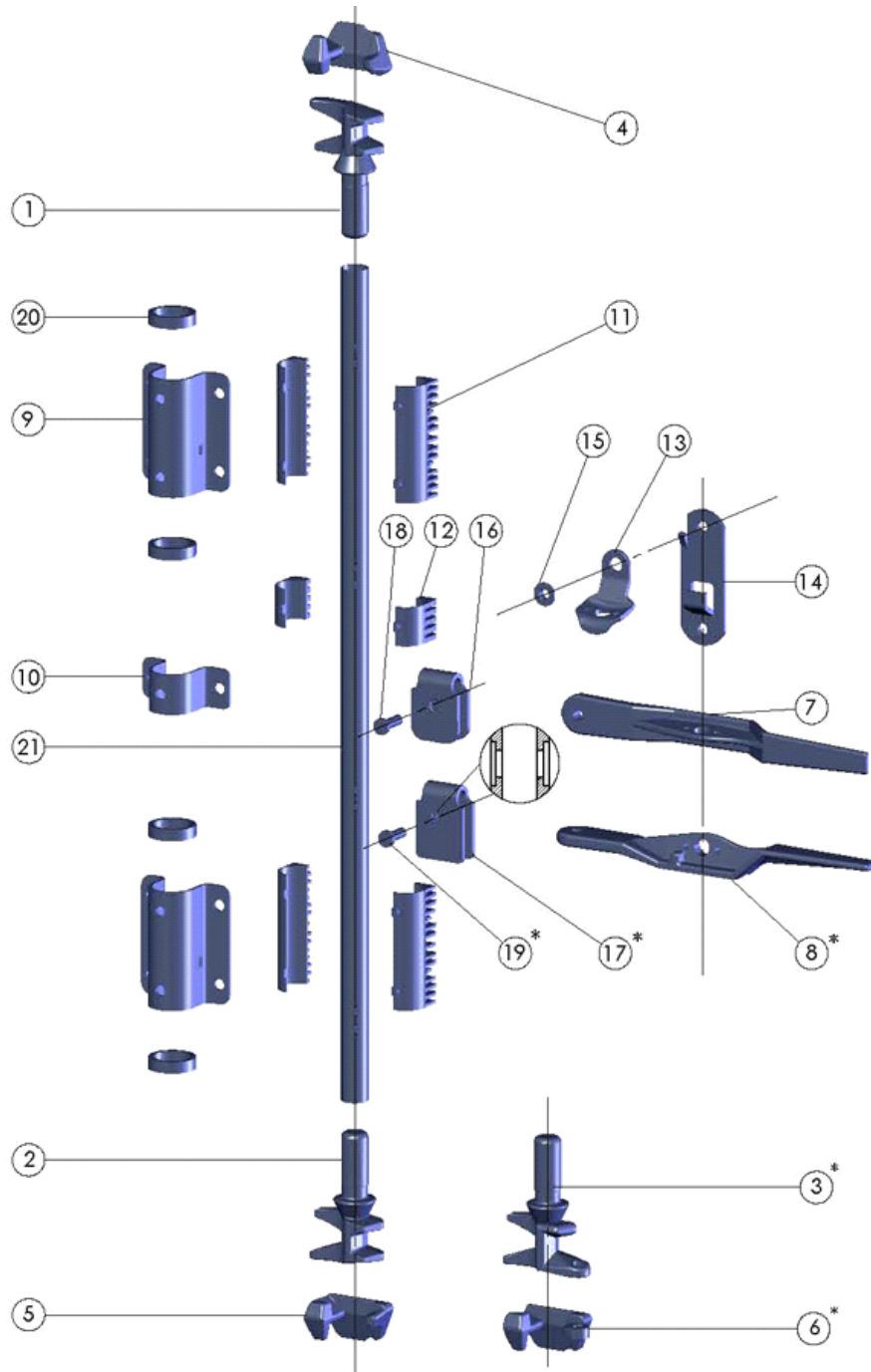


Shanghai Xinfan Container Fittings Co., Ltd.

Security Seals Manufacturer for the Shipping Industry

“Security is our 1st Priority”

CONTAINER DOOR LOCKING TSS-EA



Shanghai Xinfan Container Fittings Co.,Ltd.

Add : Room 1-102, No. 330 Hanzhong Road, Shanghai, P.R.China 200070

TEL: 86-21-53550037 FAX: 86-21-63806231

E-MAIL : trading@xfseal.com



Shanghai Xinfan Container Fittings Co., Ltd.

Security Seals Manufacturer for the Shipping Industry

“Security is our 1st Priority”

TSS - EA TYPE PARTS LIST

FAST OPEN & THREE ANTI-THEFT POINTS DOOR LOCKING SYSTEM FOR
DRY CARGO STEEL CONTAINER

ITEM NO.	PART NO.	DESCRIPTION	QTY/SET
1	97TSS-E-01-4	快开门锁头 (左) F-CAM R.H	4
2	97TSS-E-02-4	快开门锁头 (右) F-CAM R.H	3
*3	97TSS-E-02-5	快开门有孔锁头 (右) SECURITY F-CAM R.H	1
4	97TSS-E-03	锁座 (左) KEEPER R.H	4
5	97TSS-E-04	锁座 (右) KEEPER R.H	3
*6	97TSS-E-04-1/D	有孔锁座 (右) SECURITY KEEPER R.H	1
7	97TSS-E-05-1	手柄 F-HANDLE	3
*8	97TSS-E-05-1-2	手柄 F-HANDLE	1
9	97TSS-E-06	大托架 BEARING BRACKET OUTER LARGE	8
10	97TSS-E-07	小托架 BEARING BRACKET OUTER SMALL	GP4/HC8
11	97TSS-E-08	大衬套 SPLIT LARGE BUSH	8
12	97TSS-E-09	小衬套 SPLIT SMALL BUSH	GP4/HC8
13	97TSS-E-10-1	托架盖 RETAINER CATCH WITHOUT SECURITY HOLE	4
	97TSS-E-10-3	托架盖 RETAINER CATCH WITH SECURITY HOLE	
14	97TSS-E-11-1	托架座 F-RETAINER PLATE	4
	97TSS-E-11-3	托架座 F-RETAINER PLATE	
15	97TSS-E-12/A	杯形垫圈 BUSH	4
16	97TSS-E-13/A	扳手座 HANDLE HUB	3
*17	97TSS-E-13-1	扳手座 HANDLE HUB	1
18	97TSS-E-14/B	铆钉 RIVET	3
*19	97TSS-E-14/C	铆钉 RIVET	1
20	97TSS-E-15/A	定位环 ANTI-RACK RING	16
21		钢管 TUBE $\phi 34 \times 3.2$	

Shanghai Xinfan Container Fittings Co.,Ltd.

2

Add : Room 1-102, No. 330 Hanzhong Road, Shanghai, P.R.China 200070

TEL: 86-21-53550037 FAX: 86-21-63806231

E-MAIL : trading@xfseal.com



Shanghai Xinfan Container Fittings Co., Ltd.

Security Seals Manufacturer for the Shipping Industry

“Security is our 1st Priority”

NOTES:

THREE ANTI-THEFT POINTS:

- * The third forged handle (97TSS-E-05-1-2) with anti-theft point to prevent handle pulling from retainer plate illegally.
- * The third handle hub with counter sunk hole prevent rivet removing from hub illegally.
- * Security lock : seal lock may be used for a higher degree of container security. Security Fast Cam (97TSS-E-02-5) and Security Keeper (97TSS-E-04-1/D) design to accommodate a 15mm diameter hole through which the largest container seals can be passed. Once in position, the Seal prevents rotation of the lock rod, thereby denying unauthorized entry and only one Seal Cam unit needs to be fitted per container.