



Shanghai Xinfan Container Fittings Co., Ltd.

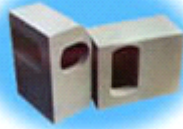
Security Seals Manufacturer for the Shipping Industry

“Security is our 1st Priority”

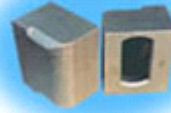
TSS CONTAINER CORNER



General Corner Fittings
(Made per the Specification
ISO1161)



Corner Fittings for
45" Container of
European Type

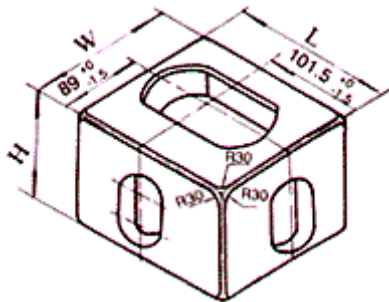


Corner Fittings for
48" Container of American Type



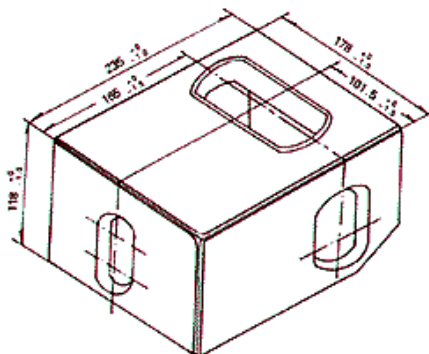
Dimension of Corner Fittings

Common sizes

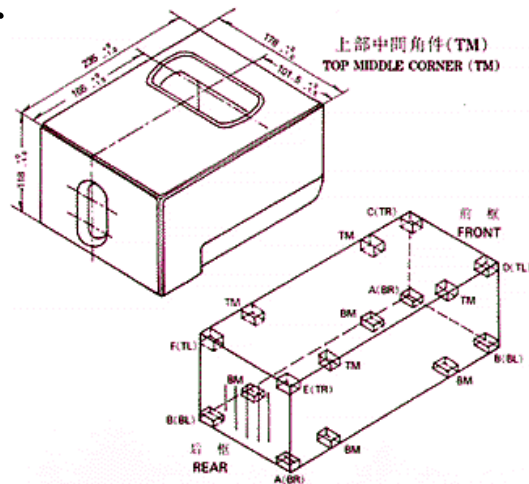


	L		W		H	
	179	-0.5	163	-0.5	119	-0.5
		-1.0		-1.0		-1.0
位置代号	MR		ML			

48 "installation location and angle of



After low and left of the upper frame F (TL)



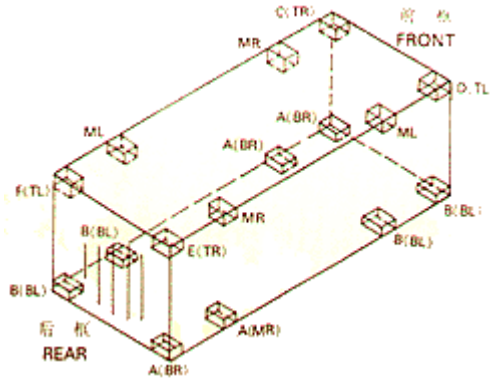
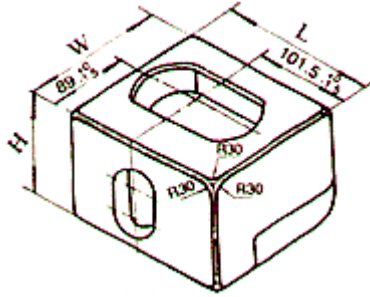


Shanghai Xinfan Container Fittings Co., Ltd.

Security Seals Manufacturer for the Shipping Industry

“Security is our 1st Priority”

45 "with me and the middle of the installation position angle



	L		W		H	
	179	-0.5	163	-0.5	119	-0.5
		-1.0		-1.0		-1.0
位置代号	MR		ML			

Shanghai Xinfan Container Fittings Co.,Ltd.

2

Add : Room 1-102, No. 330 Hanzhong Road, Shanghai, P.R.China 200070

TEL: 86-21-53550037 FAX: 86-21-63806231

E-MAIL : trading@xfseal.com