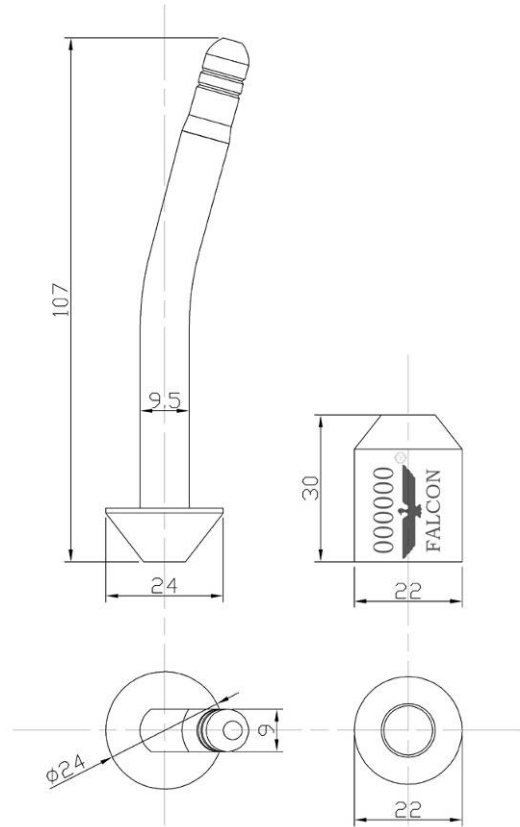


# Shanghai Xinfan Container Fittings Co., Ltd.

Address: Room 102, Building 1, No. 333 Hanzhong Road, Shanghai, P.R.C.200070

Phone: 86-21-63806232 Fax: 86-21-63806231

## DH-J1



### Applications

- All kinds of ISO Containers
- Trucks
- Doors

### Material

- Low carbon steel, zinc galvanized

### Characters

- ISO/PAS 17712 Certificated
- $\varnothing$  9.5mm lock perch
- Lock perch curved to 22°
- Removed with bolt cutters

### Printing

- Laser printing or engraving
- Company logo or name
- Sequential numbers (Max. six digits)

### Colors

- Original

### Packaging

- Standard Packaging: 1pc/Bag – 10bags/Line – 20lines/Carton
- Carton Specifications: 9.5" X 7.9" X 6.3" (24cm X 20cm X 16cm)
- Carton Weight: Gross: 29 kg / Net: 28 kg